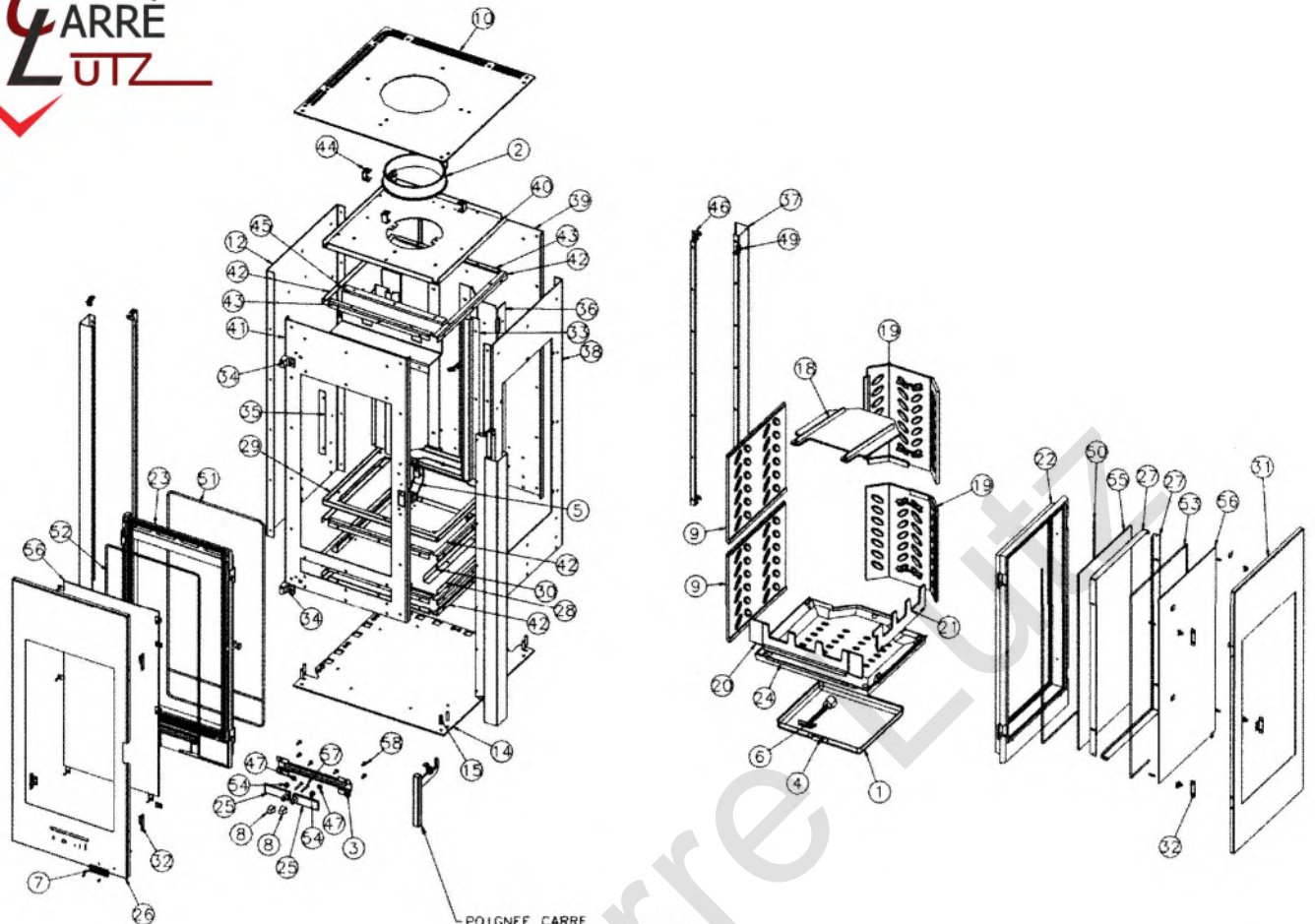




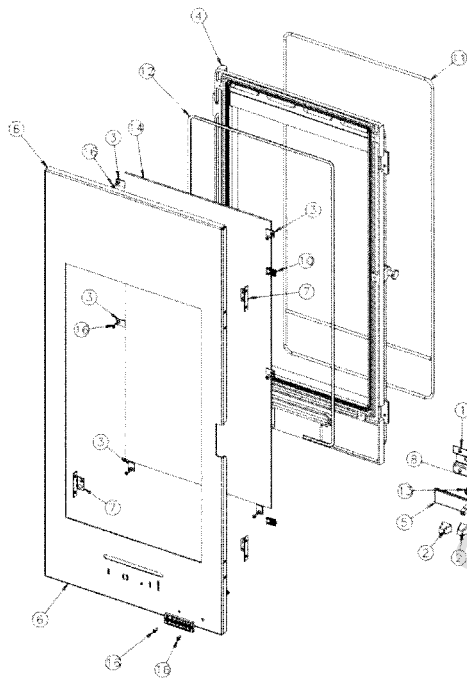
385102 Carthage d'angle



POIGNEE CARRE CHROMEE N° 1_2878_385101

58	2AA_vis_TRL_M5x16_pozie_ZN_noir	00001305477	29	1996067_T_fond_de_foyer	1_0111_996067
57	2AA_vis_TF_M5x40_pozie_ZN_noir	00001301191	28	1996067_T_fond	1_2205_996067
56	2AA_verre_refrac(351x119)ep4	00001307778	27	2996057_T_fix_vitre_rqd_feu_vis	1_2794_996057
55	1AA_verre_refrac(325x690)ep	00001307818	26	1996067_T_appuieq_deporte	1_2871_996067
54	2AA_ressort_361	00001301991	25	2996007_F_volet_reglage_oir	1_4157_006057
53	1AA_fix_cerion_tres_verre_refract(ine)	1_8816_996057	24	1996067_T_appuieq_foyer	1_0367_996067
52	1AA_fix_cerion_tres_verre_refract(PIR)	1_8516_996057	23	1996067_T_parte_chargement	2_2831_996067
51	1AA_fix_cerion_tres_porte_chrgement_d	1_8804_996057	22	1996057_T_fixe_vitre_cote	1_2030_996057
50	1AA_fixe_cdr_tres_verre_refract(ine)	1_8816_996057	21	1996067_T_chenet_droit	1_0266_996067
49	2AA_ecrou_rapid.mat(2955_M5)lms5	00001304496	20	1996067_T_chenet	1_0306_996057
48	2AA_ecrou_M10_eurovert(9418_2028)	00001307166	19	2996056_F_plaque_dr_foyer	1_0160_996056
47	1AA_cuvette_a_vis	00001307633	18	1996056_F_deflecteur	1_0131_996056
46	3996066_T_renfort_interieur_avant	1_2770_996066	17	2996007_T_patte_fixation_dessus	1_1160_996007
45	1996066_T_renfort_avant	1_0832_996066	16	1996010_T_fixe_vitre	1_2071_66010
44	4996066_T_equerre_de_dessus	1_1145_996066	15	66007_AF_dxe_dR_L32	19_108_6007
43	4996066_T_equerre_de_cote	1_2365_996066	14	1385102_T_socle	1_5707_385102
42	3996066_T_equerre_avant	1_2257_996066	13	1385102_T_fixe_dossier	1_1334_385102
41	1996066_T_devant_foyer	1_0326_996066	12	1385102_T_cote_droit	1_2301_385102
40	1996066_T_dessus_foyer	1_1112_996066	11	1385102_T_colonne_gauche	1_2609_385102
39	1996066_T_derrriere_foyer	1_0130_996066	10	1385102_T_chapeau	1_1109_385102
38	1996066_T_cote	1_2317_996066	9	2996010_F_plaque_foyer_gauche	1_0163_385102
37	2996066_T_colonne_avant	1_2602_996066	8	2996101_F_index	1_8548_385101
36	3996066_T_colonne	1_5706_996066	7	1385101_F_ecusson	1_8501_385101
35	4996066_T_butee	1_0439_996066	6	13730A_F_cle_q_etrochet	14101_3770
34	2996066_F_chape_porte_foyer	1_2867_996066	5	1369101_F_volet_droit	1_2778_369101
33	1996057_T_patte_g_fix_facade_inf	1_2162_996057	4	1326D_T_maitie_tiroir_cendre	1_3370_3260
32	4996057_T_patte_fixation_facade	1_2015_996057	3	13257_T_guide_securite	1_4175_3257
31	1996057_T_panneau_decor_cote	1_1352_996057	2	13158_F_buse	1_2432_3158
30	2996057_T_joint_fond	1_2255_996057	1	13157_T_bac_cendres	1_3304_3157
1	1er Qt y none	Port #	1er Qt y none	Port #	

385101 - 385102 PORTE



18	6AA vis_TRL_M5x16_pozie_ZN_noir	00001305477	ACIER
17	2AA vis_TF_M5x40_pozie_ZN_noir	00001301191	ACIER
16	8AA vis_TF_M4x10_pozie	00001301181	1 - ACIER
15	1AA vis_epaulee_acier_ZN_noir	00001307191	ACIER
14	1AA verre_refrac(351x719)ep4	00001307778	VERRE
13	2AA ressort_961	00001301991	ACIER
12	1AA fic_ceram_tres_verre_refract(PYR)	8816_996057	
11	1AA fic_ceram_tres_porte_chrgment_dil	8804_996057	
10	4AA ecrou_rapid_nut_0955_M5(1mm)	00001304496	ACIER
9	2AA ecrou_6_pans_4_ZN_noir	00001300263	ACIER
8	2AA cuvette_a_vis	00001307833	LAITON
7	4996057 T_patte_fixation_focade	1_2019_996057	TOLE_15/10_TC
6	1996057 T_applique_de_porte	1_2871_996057	TOLE_20/10_TC
5	2996057 F_volet_reglage_air	1_4137_996057	FONTE
4	1996057 F_porte_chargement	2_2831_996057	FONTE
3	6660101 T_fixe_vitre	12071_6660101	TOLE_15/10_INOX
2	2385101 F_index	1_8548_385101	FONTE
1	13257 T_guide_securite	2_4175_3257	TOLE_15/10_TC
ItemQtyName	Part #	Material	